

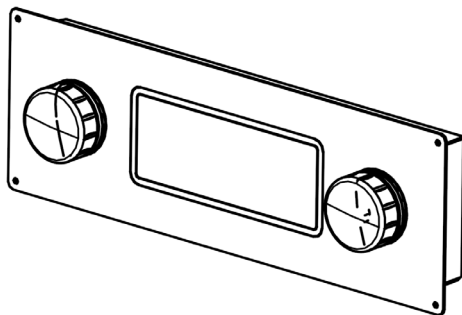
Compactmodul

Tap Operation to Compactmodul 600, 650 or 720 - 2xXkW

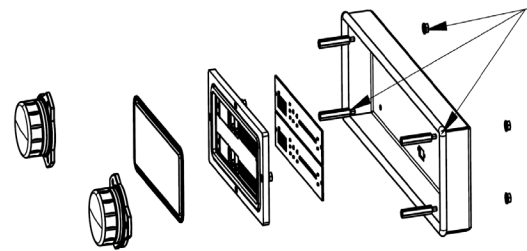
Modelle

Tap Operation (art. nr. 94030066)

Tap Operation w/o front panel (art. nr. 94030066)



Tap Operation



Tap Operation w/o front panel

Features

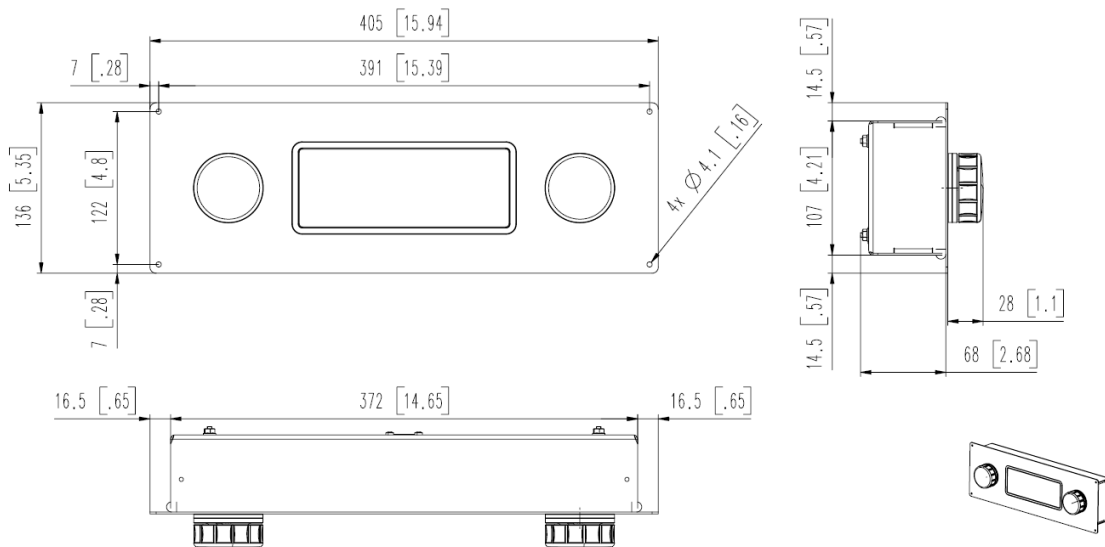
- Cooking level setting from level 1 to 12 for two cooking zones
- Changing operation mode between cooking and temperature control
- Enables to work with cook&hold on one unit
- Temperature control from 25 to 100 °C
- Timer function (1 to 240 min) including an automatic switch off function
- Pot recognition feedback via display
- LOCK function to prevent unwanted setting
- Error code feedback via display to facilitate communication with aftersales
- Standard operation knob seating (customized knobs can be used)
- Maximum power intake of each cooking zone can be individually reduced (25 to 100% of nominal power)
- Knob background light colour can be adjusted (9 different colours)
- Very robust and designed for continuous use in professional kitchens
- Warranty: 2 years on parts

Accessories

- RJ-45 connecting cable (1.5 m)

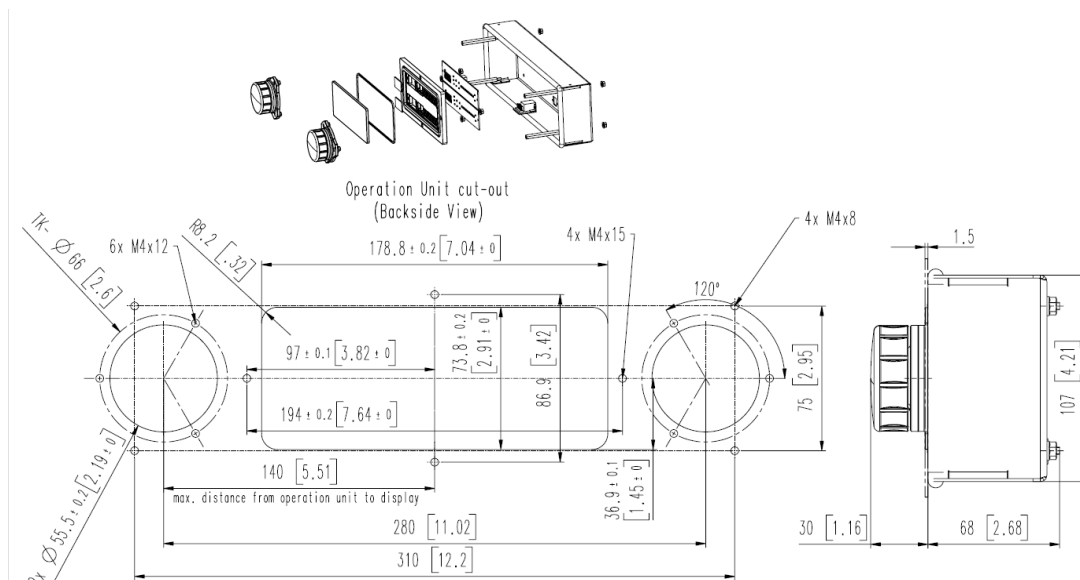


Tap Operation



All measurements in mm

Tap Operation w/o front panel



All measurements in mm

DE | © 2021 INDUCS AG. Alle Rechte vorbehalten. Technische Änderungen und Irrtümer vorbehalten